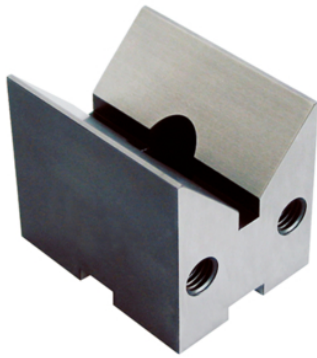


V-Blocks
1148.500

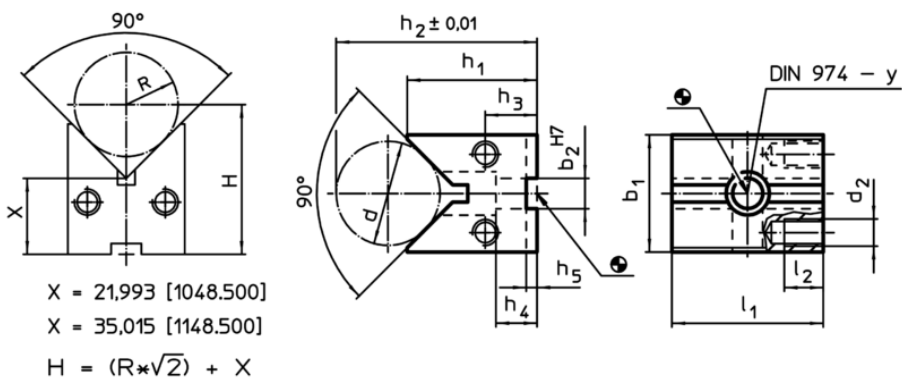


Product Description


Material

- Steel, case-hardened, ground

Drawing



Order information

System	Dimensions													For screws	y		Art. No.
	l ₁	b ₁	b ₂	h ₁	h ₂	h ₃	h ₄	h ₅	l ₂	d	d ₂	d min.	d max.				
V70	70	54	14	60	83,3	24	19	5	18	40	M12	12	67	M12	12	1640	1148.500