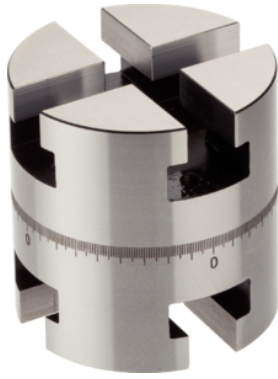


## Adjustable Rotating Elements

1148.600

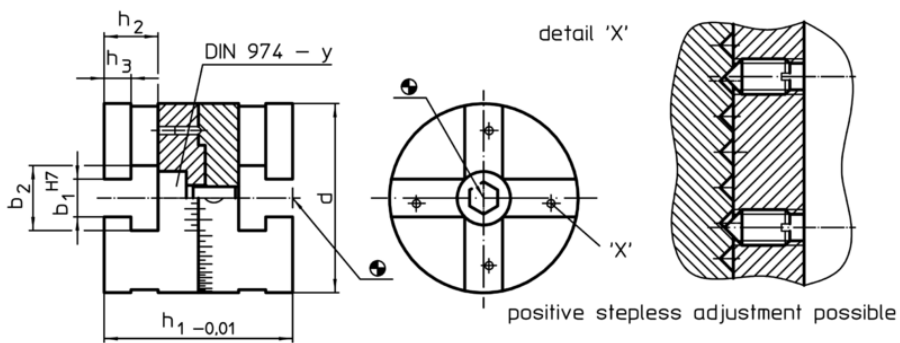


### Product Description

#### Material

- Steel, case-hardened, ground

### Drawing



### Order information

System	Dimensions							[g]	Art. No.
	d	b <sub>1</sub>	b <sub>2</sub>	h <sub>1</sub> [mm]	h <sub>2</sub>	h <sub>3</sub>	y		
V70	70	14	24	70	20	10	12	1350	1148.600