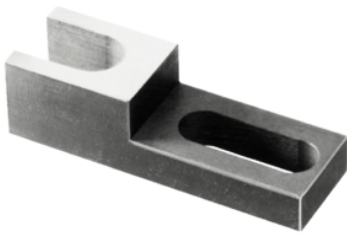


Fixed Drilling Supports

1162.100

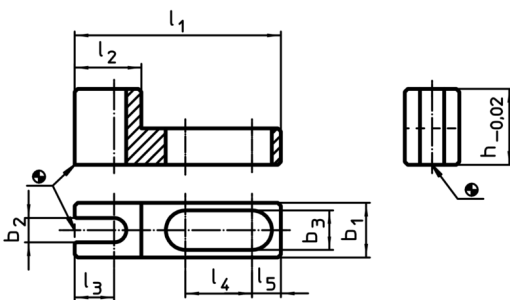
Product Description



Material

- Steel, case-hardened, ground

Drawing



Order information

System	Dimensions									Art. No.	
	l_1	l_2	l_3	l_4	l_5	b_1	b_2	b_3	h		
V70/L12	88	38	20	26	9,5	28	16	13	25	210	1162.100