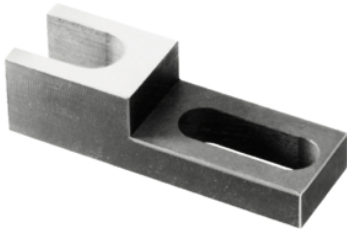


Fixed Drilling Supports

1162.300

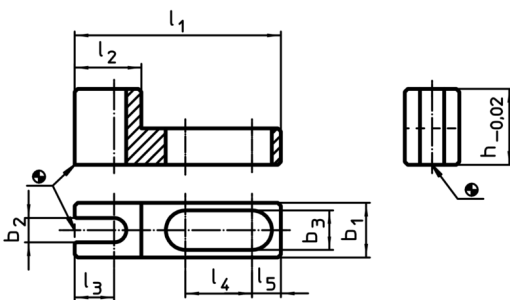
Product Description



Material

- Steel, case-hardened, ground

Drawing



Order information

System	Dimensions										Art. No.
	l_1	l_2	l_3	l_4	l_5	b_1	b_2	b_3	h	[g]	
V70/L12	108	45	20	37	11,5	48	35	17	25	480	1162.300