

Fixed Drilling Supports • adjustable

1163.200

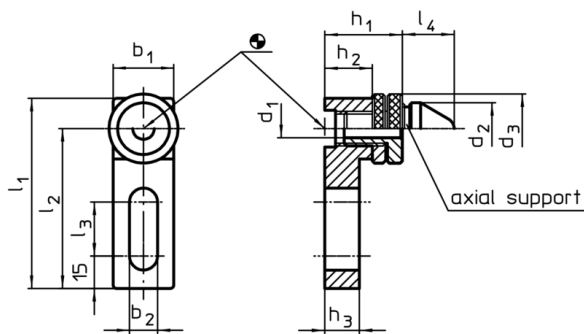
Product Description



Material

- Steel, case-hardened, ground

Drawing



Order information

System	Dimensions												[g]	Art. No.
	b ₁	b ₂	d ₁	d ₂	d ₃	l ₁	l ₂	l ₃	l ₄	h ₁	h ₂	h ₃		
V70/L12	48	17	24,8	45	55	108	84	25	27	54 – 68	32	26	1425	1163.200