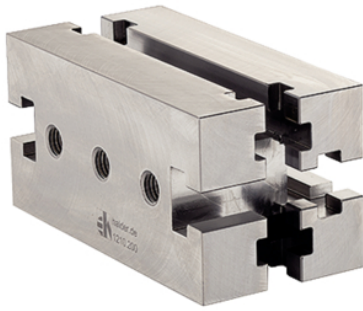


## Mounting Blocks • V70eco

### 1210.200



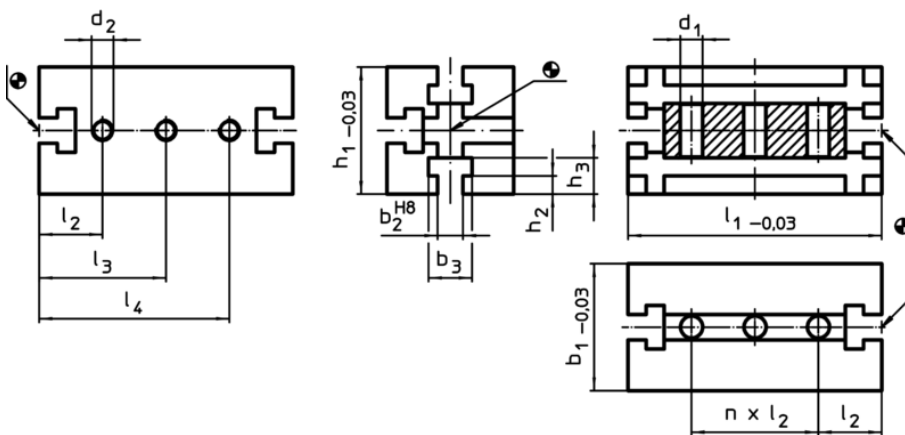
#### Product Description

V70eco mounting blocks are a further development of the established V70 product line, optimized in quality and price. They are fully compatible with the existing V70 T-slot System.

#### Material

- Tool steel, high-strength

#### Drawing



#### Order information

System	Dimensions														Art. No.
	$l_1$	$b_1$	$b_2$	$b_3$	$d_1$	$d_2$	$h_1$	$h_2$	$h_3$	$l_2$	$l_3$	$l_4$	$n$	[g]	
V70	140	70	14	24	12,25	M12	70	10	20	35	70	105	2	3600	1210.200