

Clamping Heads

1514.700

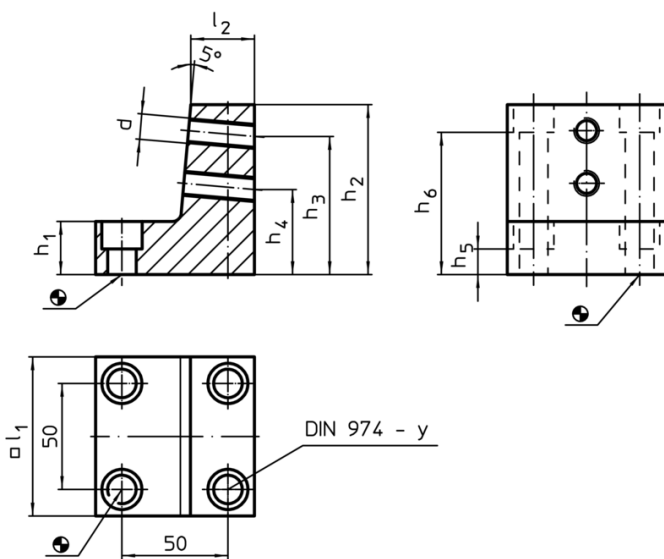


Product Description


Material

- Steel, blackened

Drawing



Order information

System	Dimensions									y	For screws		Art. No.
	l ₁	l ₂	h ₁	h ₂	h ₃	h ₄	h ₅	h ₆	d				
L12	74,8	30	25	80	65	40	12	67	M12	12	M12	1800	1514.700

Application example

