

Stop Angles

1520.400

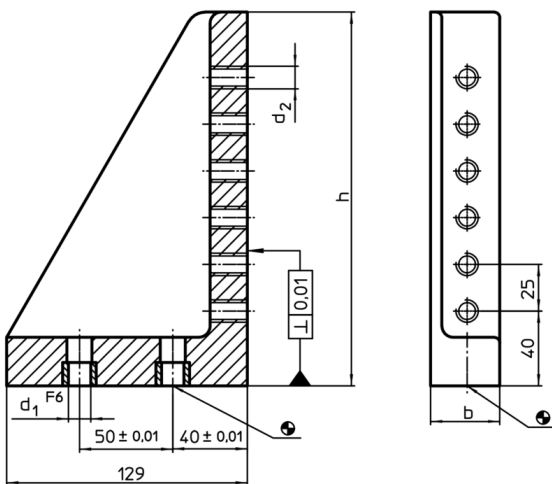


Product Description


Material

- Grey cast iron, phosphatized, ground

Drawing



Order information

System	b	Dimensions			Number of threads	 [g]	Art. No.
		h	d ₁	d ₂			
L12	37	140	12	M12	4	1700	1520.400