

Clamping Bars • length 200
1585.200

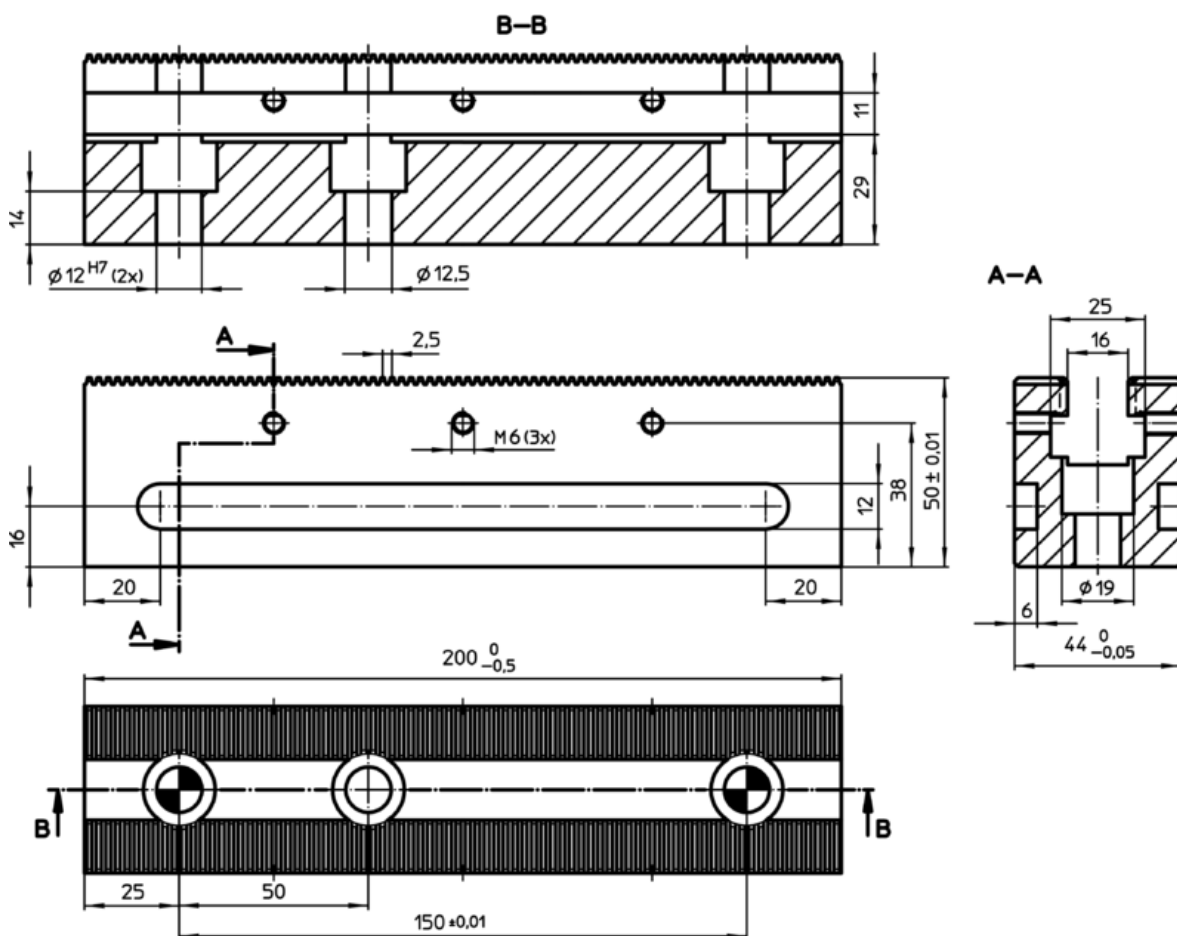
Product Description




Material

- Tool steel, hardened



Drawing



Order information

	Art. No.
 [g] 2320	1585.200

Accessories

	Number locating screws M12 x 45	Number cap screws M12 x 45	 [g]	Art. No.
Fixing screws				
	2	1	155	1585.201