

Stops• diamond coated
1586.010



Product Description

Material

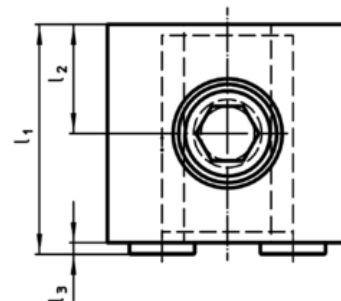
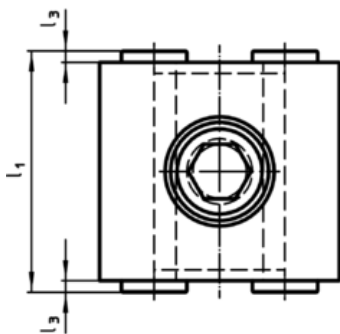
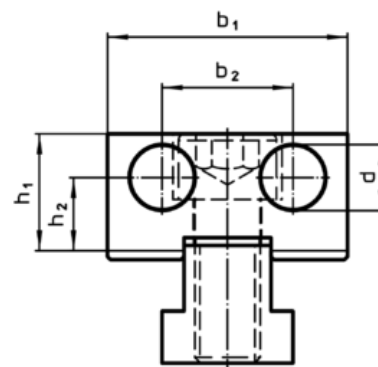
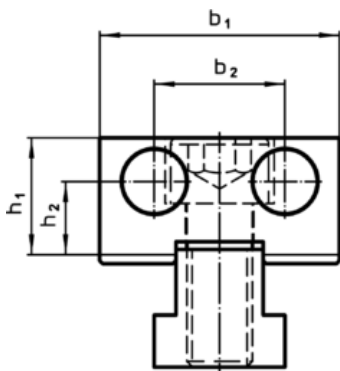
Pin

- Diamond coating

Body

- Tool steel, hardened

Drawing



picture 1

picture 2

Order information

Dimensions							[g]	Art. No.
l_1	l_3	b_1	b_2	h_1	h_2	d		
diamond coated on both sides – picture 1								
44	2	44	24	21,4	13,4	12	390	1586.010