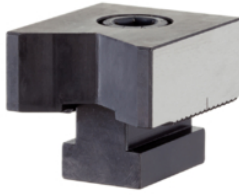


Stops- vertical prisms

1586.040

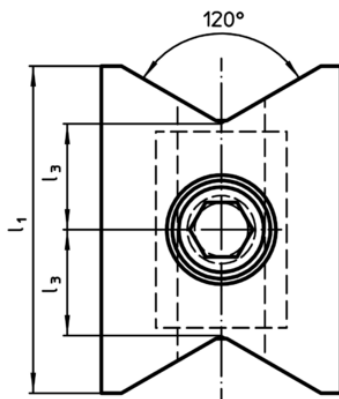
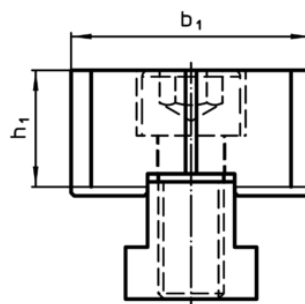
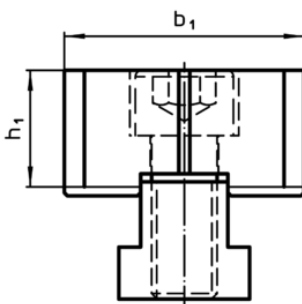
Product Description



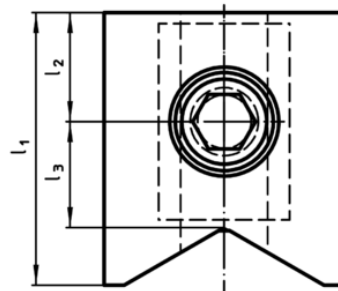
Material

- Tool steel, hardened

Drawing



picture 1



picture 2

Order information

Dimensions				[g]	Art. No.
l_1	l_3	b_1	h_1		
vertical prisms on both sides – picture 1					
60	19,4	44	21,4	490	1586.040