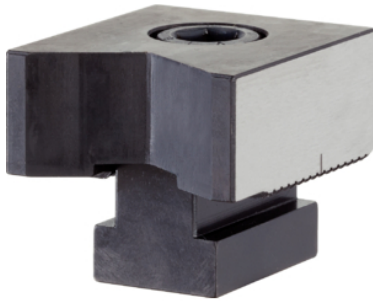


Stops• vertical prisms

1586.041

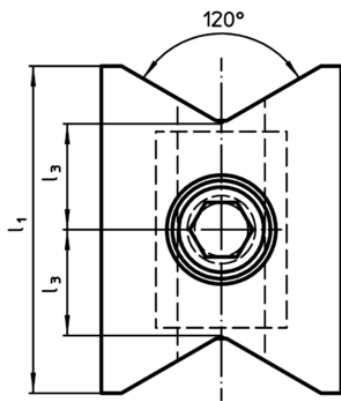
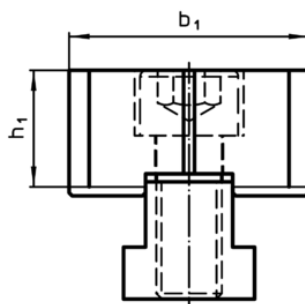
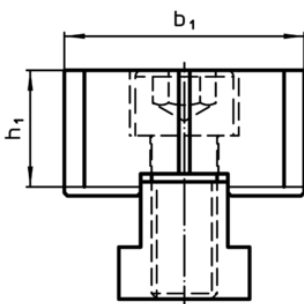
Product Description



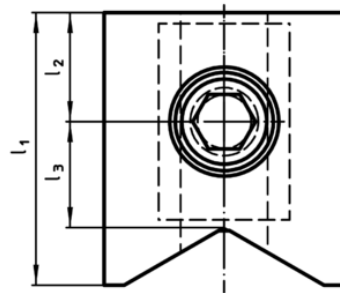
Material

- Tool steel, hardened

Drawing



picture 1



picture 2

Order information

Dimensions					[g]	Art. No.
l_1	l_2	l_3 [mm]	b_1	h_1		
vertical prism and plain – picture 2						
50	20	19,4	44	21,4	450	1586.041