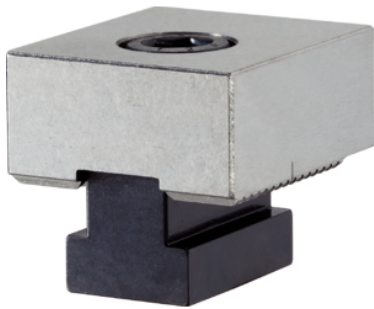


Stops• soft
1586.051



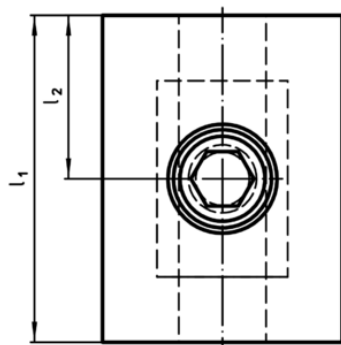
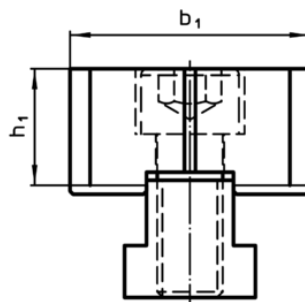
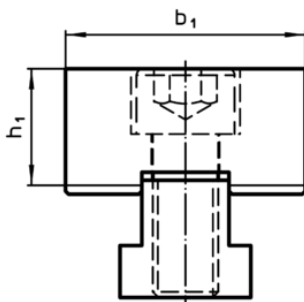
Product Description

The chucks can be machined to the needed workpiece contour.

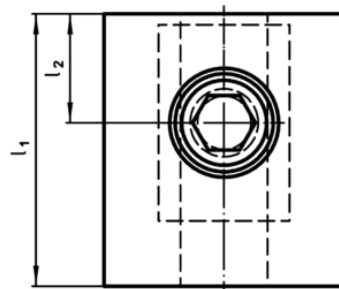
Material

- Tool steel

Drawing



picture 1



picture 2

Order information

l ₁	l ₂	Dimensions		[g]	Art. No.
		b ₁ [mm]	h ₁		
soft on both sides, one side short – picture 2					
50	20	44	21,4	460	1586.051