

Stops

1614.500



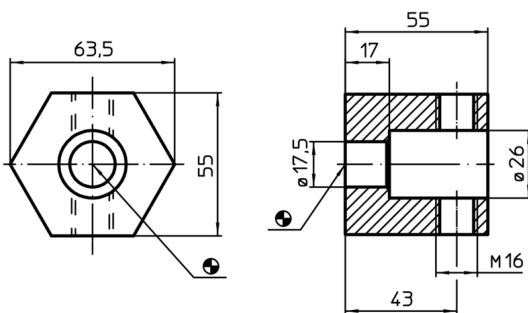
Product Description

For the L-12 hole and dowel system the abutment 1114.500 is used.


Material

- Steel, blackened

Drawing



Order information

System	 [g]	Art. No.
L16	900	1614.500