

## Clamping Heads

1614.700

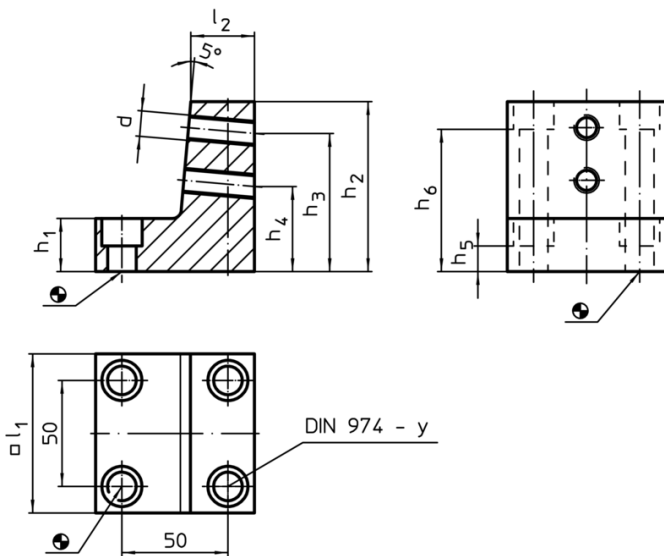


### Product Description

#### Material

- Steel, blackened

### Drawing



### Order information

System	Dimensions									y	For screws	[g]	Art. No.
	l <sub>1</sub>	l <sub>2</sub>	h <sub>1</sub>	h <sub>2</sub>	h <sub>3</sub>	h <sub>4</sub>	h <sub>5</sub>	h <sub>6</sub>	d				
L16	90	35	30	90	75	50	12,5	72,5	M16	16	M16	2770	1614.700

### Application example

