

Stop Angles

1621.700

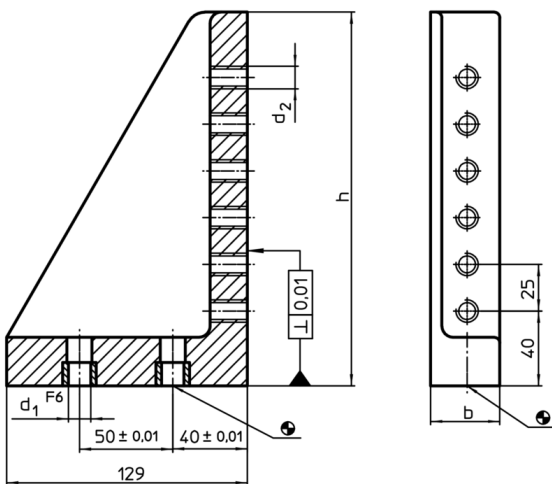


Product Description


Material

- Grey cast iron, phosphatized, ground

Drawing



Order information

System	Dimensions				Number of threads	 [g]	Art. No.
	b	h	d ₁	d ₂			
L16	66	200	16	M16	6	3600	1621.700