

V-Blocks
1648.500

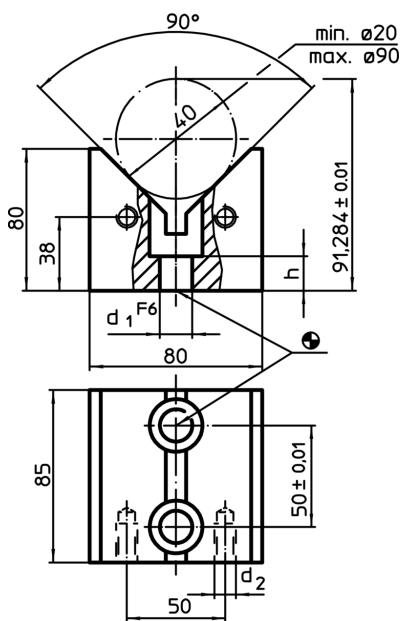


Product Description

Material

- Steel, case-hardened, ground

Drawing



Order information

System	Dimensions			[g]	Art. No.
	d_1	d_2 [mm]	h		
L16	16	M16	25	2900	1648.500