

Multi-Vices· MS 125

1700.300



Product Description

Scope of application:

- Can be applied horizontally and vertically - therefore suitable for vertical and horizontal CNC milling machines
- Conventional clamping, gripper clamping or pull-down clamping are all possible
- MS 125-S - ideal for use on five-axis machining centres
- Clamping of unmachined parts, saw-cut or flame-cut material by penetration of hardened, replaceable gripper elements into the workpiece
- With the support jaws, unmachined parts in highly varied materials, or with complex geometries, can be clamped securely and economically

Product features:

- High versatility - the modular clamping system combines practically all the possibilities of our tried-and-tested models
- High-pressure spindle with power intensification - clamping force does not slacken
- Enlarged clamping span for secure clamping of unmachined parts
- Lost clamping margin 8 mm with pull-down clamping, 3 mm with gripper clamping
- Clamping with torque wrench (max. 30 Nm) - this makes it possible to work above the table with an unfavourable clamping arrangement on the tool

Scope of supply:

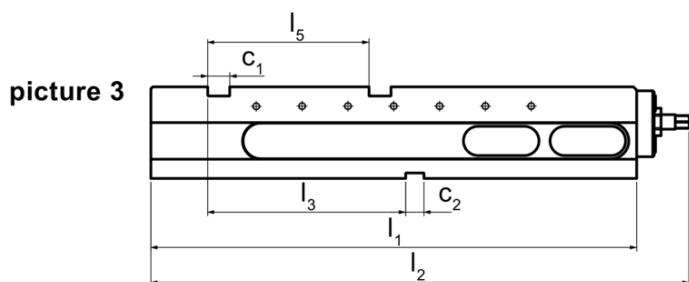
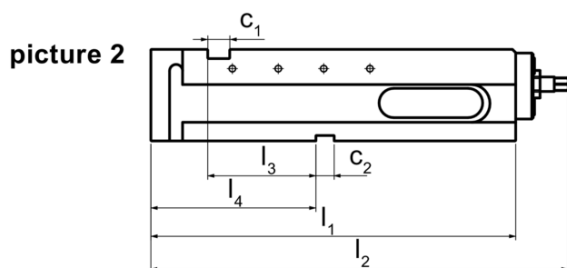
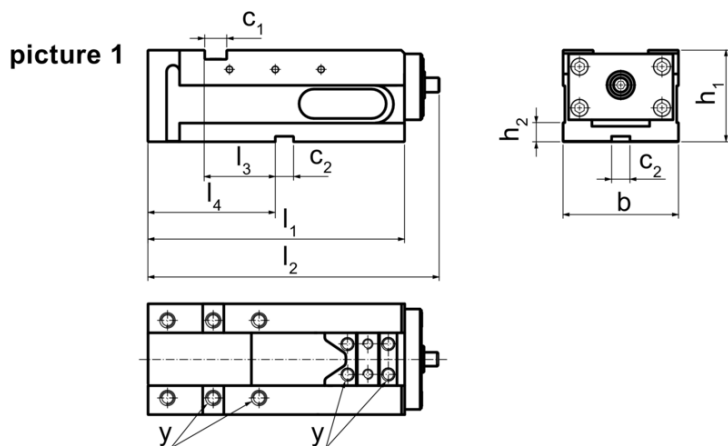
- 1 high-pressure vice without jaws
- 1 set of clamping elements
- 3 socket screw wrenches
- 1 hexagonal insert for torque wrench 3/8"

Please order the clamping jaws separately.


Material

- Ductile cast iron (GGG 60)

Drawing



Order information

Jaw width [mm]	Dimensions											Tightening torque max. [Nm]	Clamping force max. [kN]	 [kg]	Art. No.	
	b	l_1	l_2	l_3	l_5	h_1	h_2	c_1	c_2	y						
MS 125-L – picture 3																
125	126	530	587	216	176	100	21	24	20	M12	30	40	38	1700.300		