

## Clamping Angles

1906.540



### Product Description

#### Material

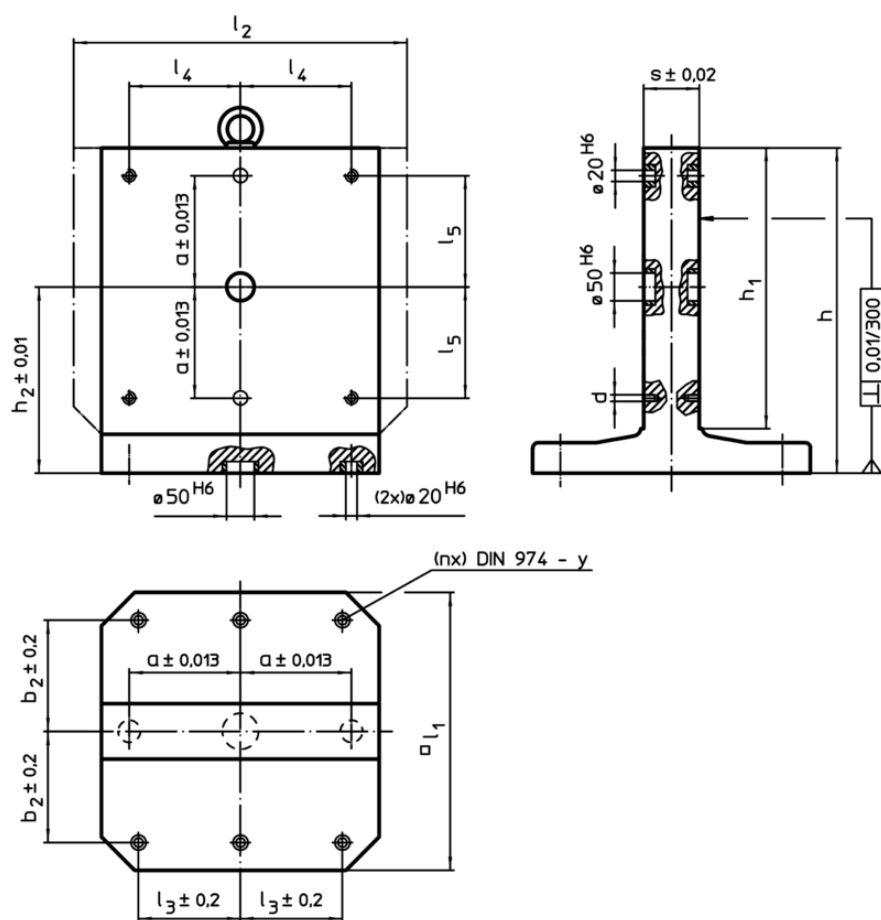
- Grey cast iron GG

#### More information

#### Notes

Special plates on request.

### Drawing



### Order information

$l_1$	$l_2$	$h_1$	$h$	Dimensions								$y$	For screws	Amount fastening holes $n$	[kg]	Art. No.	
				$a$ $\pm 0,013$	$b_2$ $\pm 0,2$	$l_3$ $\pm 0,2$	$l_4$	$l_5$	$h_2$ $\pm 0,01$	$s$ $\pm 0,02$	$d$						
[mm]													[mm]	[mm]			
500	630	500	595	200	200	200	200	200	200	345	100	M12	12	M12	6	326	1906.540

Application example

