

Clamping Angles • welded, semi-finished

1910.120



Product Description

Material

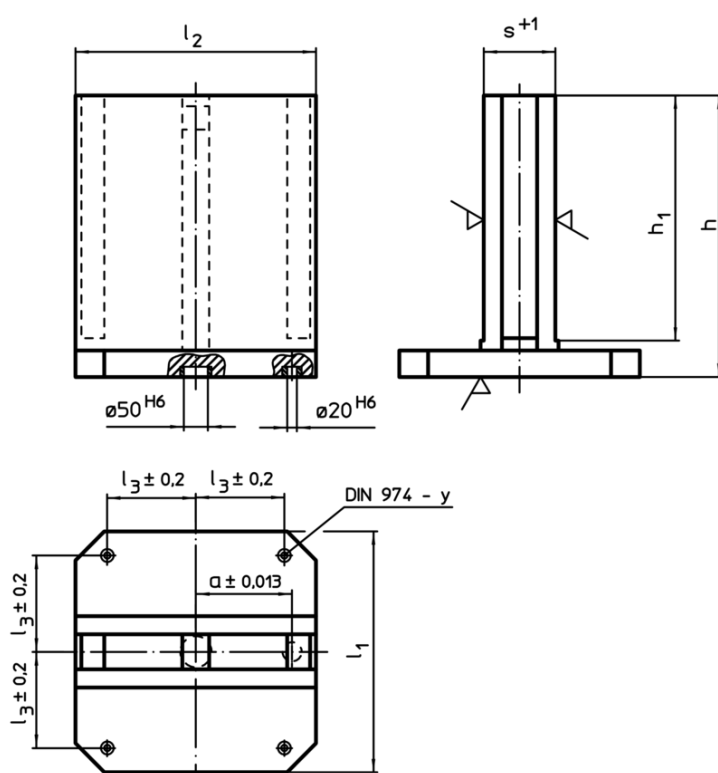
- Steel, welded

More information


Notes

Special plates on request.

Drawing



Order information

l ₁	l ₂	l ₃ ±0,2	Dimensions				y	For screws		Art. No.
			h	h ₁	s +1	a ±0,013				
[mm]										
400	400	150	475	425	121	150	12	M12	148	1910.120

Application example

