

Clamping Angles • welded, semi-finished

1910.140



Product Description

Material

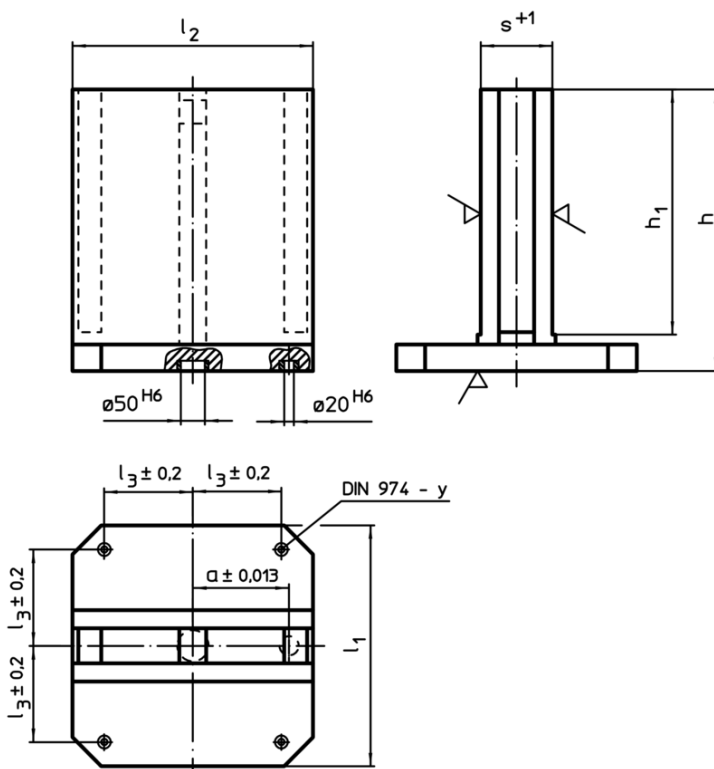
- Steel, welded

More information


Notes

Special plates on request.

Drawing



Order information

l_1	l_2	$l_3 \pm 0,2$	Dimensions				y	For screws		Art. No.
			h	h_1	$s + 1$	$a \pm 0,013$				
[mm]										
500	500	200	600	545	151	200	12	M12	274	1910.140

Application example

