

## Clamping Angles• welded, semi-finished

1910.160



### Product Description

#### Material

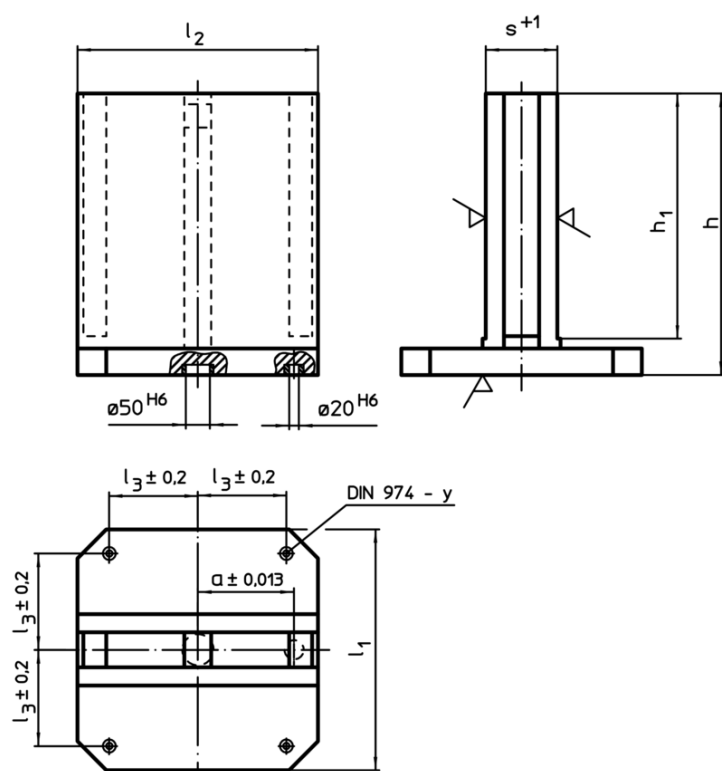
- Steel, welded

#### More information


#### Notes

Special plates on request.

### Drawing



### Order information

$l_1$	$l_2$	$l_3 \pm 0,2$	Dimensions				$y$	For screws		Art. No.
			$h$	$h_1$	$s + 1$	$a \pm 0,013$				
[mm]										
630	630	200	725	660	181	200	16	M16	395	1910.160

Application example

