

## Connecting Elements - hydraulically operated, single acting with lifting-off

1990.080



### Product Description

#### Material

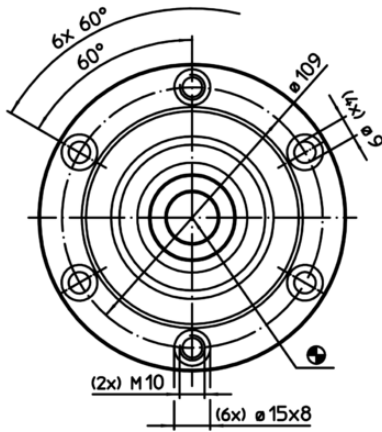
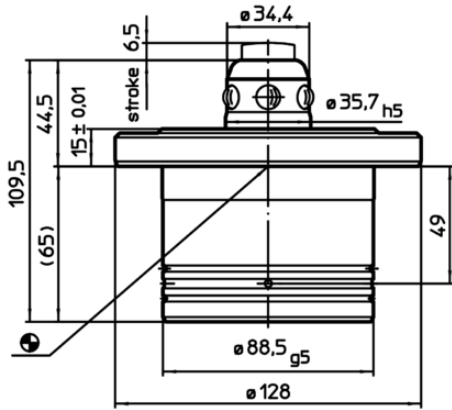
- Steel, case-hardened, ground

#### More information

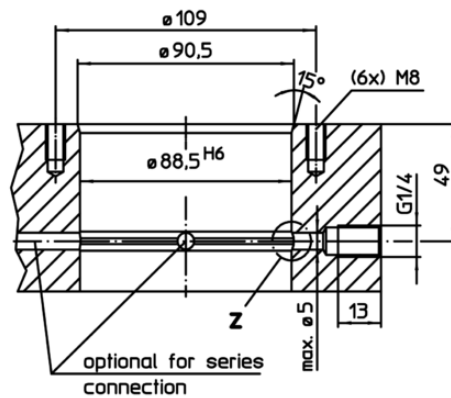
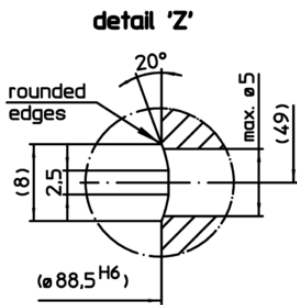
#### Further products

- Connecting Rings
- Coverings, for connecting elements
- Pressure Amplifier


Drawing



location hole  
hydraulic connection



Order information

Holding force [N]	Centering accuracy < [mm]	Release pressure max. [bar]	 [g]	Art. No.
20000	0,01	60 – 80	3750	1990.080