

Connecting Elements - modular, pneumatically operated

1990.102

Product Description



Material

Body

- Steel, case-hardened, ground

Control module

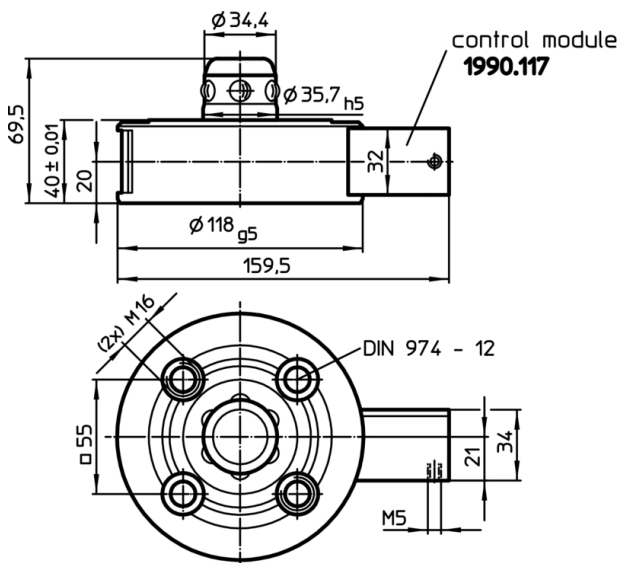
- Aluminium

More information


Further products

- Connecting Rings
- Coverings, for connecting elements

Drawing



Order information

Holding force	Centering accuracy	Release pressure		Art. No.
[N]	< [mm]	[bar]	[g]	
5000	0,01	6	3040	1990.102

Application example

