

## Locating bushing with seal, plain- for lifting pins

22350.1961



No Photo  
available

### Product Description

Locating bushings are used for quick and safe locating of lifting pins EH 22350. This design is suitable for applications which require installation flush to the surface. Corrosion and abrasion resistant.

#### Material

##### Bushing

- Stainless steel 1.4542, precipitation-hardened

##### O-ring

- NBR

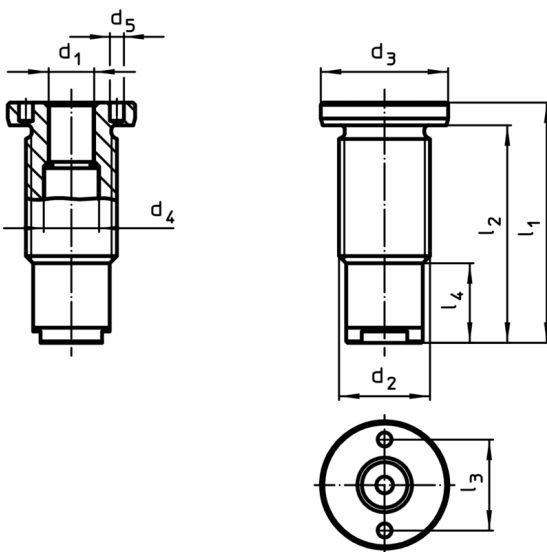
##### Spring

- Stainless steel

#### Assembly

Ensure safe tolerances and consistent function. Easily incorporable into different materials. Can be used in thin-walled pieces. Bush can be easily installed via optional assembly tool.

### Drawing






### Order information

Dimensions		For nominal length l [mm]	Dimensions							Tightening torque max. [Nm]	x <sup>1)</sup> [mm]	Carrying force <sup>1)</sup> [kN]			For lifting pin	Art. No.	
d <sub>1</sub> H11 [mm]	d <sub>2</sub> [mm]		d <sub>3</sub> -0,2	d <sub>4</sub> +0,3	d <sub>5</sub> +0,1	l <sub>1</sub>	l <sub>2</sub>	l <sub>3</sub>	l <sub>4</sub>			F <sub>1</sub>	F <sub>2</sub>	F <sub>3</sub>			[g]
10	M20 x 1,5	15	28	12,3	5,1	51	45	20	21	100	1,5	2,7	2,4	2,1	22350.0621 / .0721	82	22350.1961

<sup>1)</sup> for a 5-fold safety against breakage

Accessories

	d <sub>1</sub> [mm]	 [g]	Art. No.
<b>adjustable face spanner, offset</b>			
	8/10/12	121	22350.1990
<b>face and socket wrench</b>			
	10	136	22350.1996

Application example

