

Ball Casters- Plastic

22751.0115



Product Description

Ball casters are module for transport systems, conveyances, to working and packing facilities. For example, parts can be easily moved, turned and controlled.

Thanks to the technical properties of the plastic the component does not require maintenance or lubrication and is also resistant to abrasion. In contrast to the steel model, the plastic model offers additional benefits such as electrical insulation and anti-magnetic characteristics thanks to the properties of its material.

Material

Cap

- Plastic, white

Housing

- Plastic, white

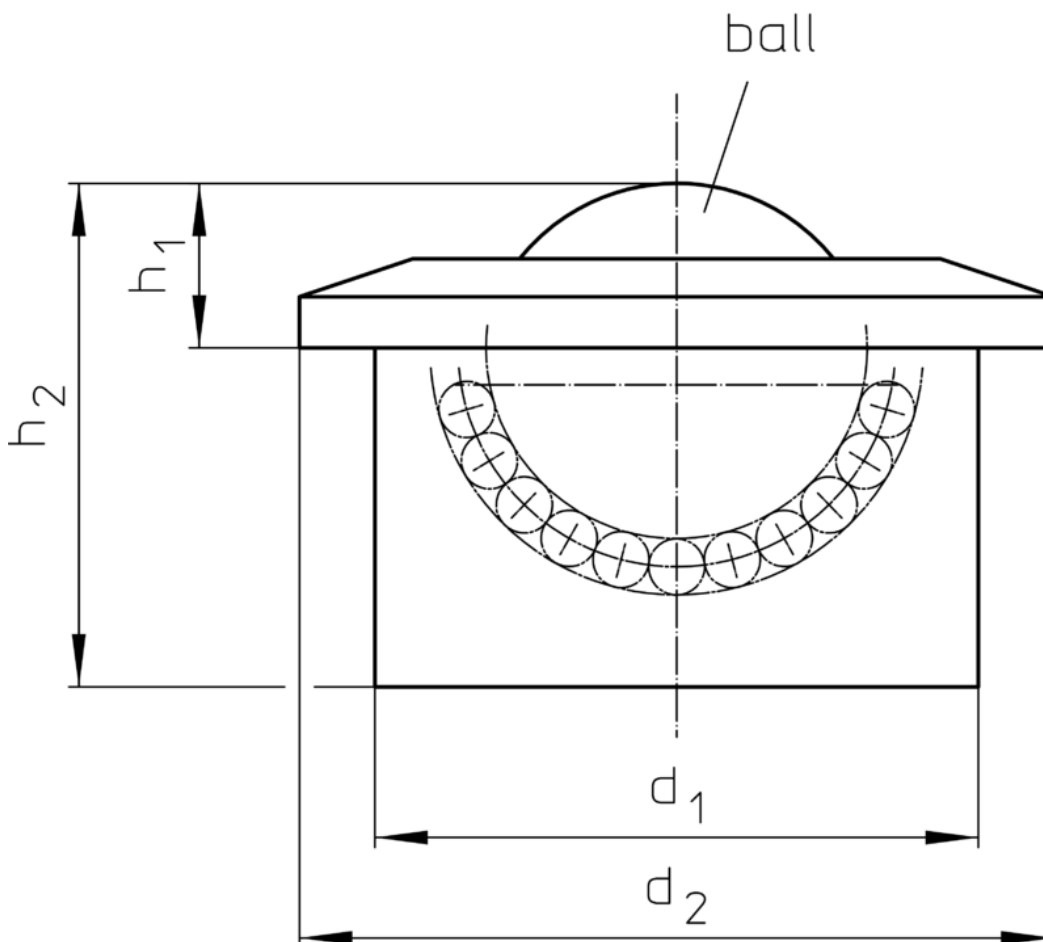
Ball

- Thermoplastic POM, white



Bearing ball

- Stainless steel

Drawing



Order information

Dimensions					Load capacity for static load max. [N]	Location hole D H7 [mm]	 min. max. [°C]		 [g]	Art. No.
d ₁	Ball ∅	d ₂ [mm]	h ₁	h ₂						
Bearing ball: Stainless steel										
24	16	31	9,8	21	300	23,95	-40	80	12	22751.0115

Application example

