

Ball Lock Pins with T-handle• single acting - according to NASM / MS 17985

4211.E18



Product Description

Quick Release Pins according to NASM (former norm: MS) are used for quick fastening, locking, adjusting, changing and securing. Quickly and easily unlockable for frequently repeated connections.

Quick Release Pins (Single Acting Ball Lock Pins / Ball Lock Pins) are produced according to Aviation Norm NASM (former norm: MS) and tested to NAS 1332.

A standard program is available from stock (refer to article table). Delivery time for customer orders and dimensions not mentioned here currently 8 weeks. Please note the minimum order quantity of 20 pieces.

Material

Pin ①

- Stainless steel, precipitation-hardened, passivated

Press bolt ②

- Stainless steel, precipitation-hardened, passivated

Spring ③

- Stainless steel, precipitation-hardened, passivated

Handle ④

- Aluminium, black anodised

Attaching ring ⑤

- Stainless steel, passivated

Ball ⑥

- Stainless steel, precipitation-hardened, passivated

Operation

The balls are unlocked by pressing the knob.

More information

Notes

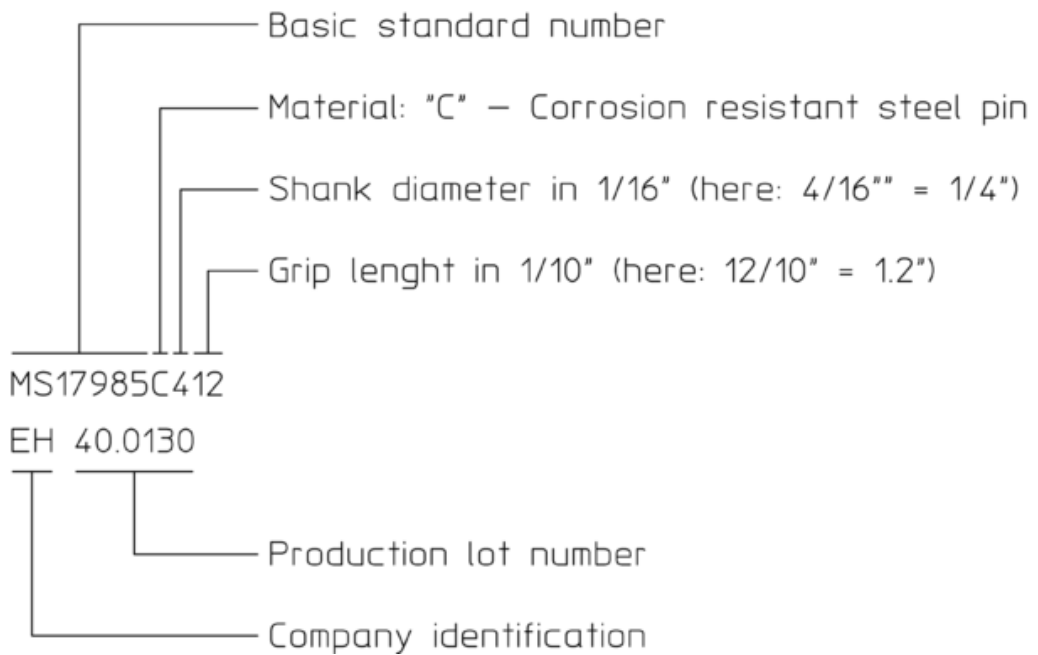
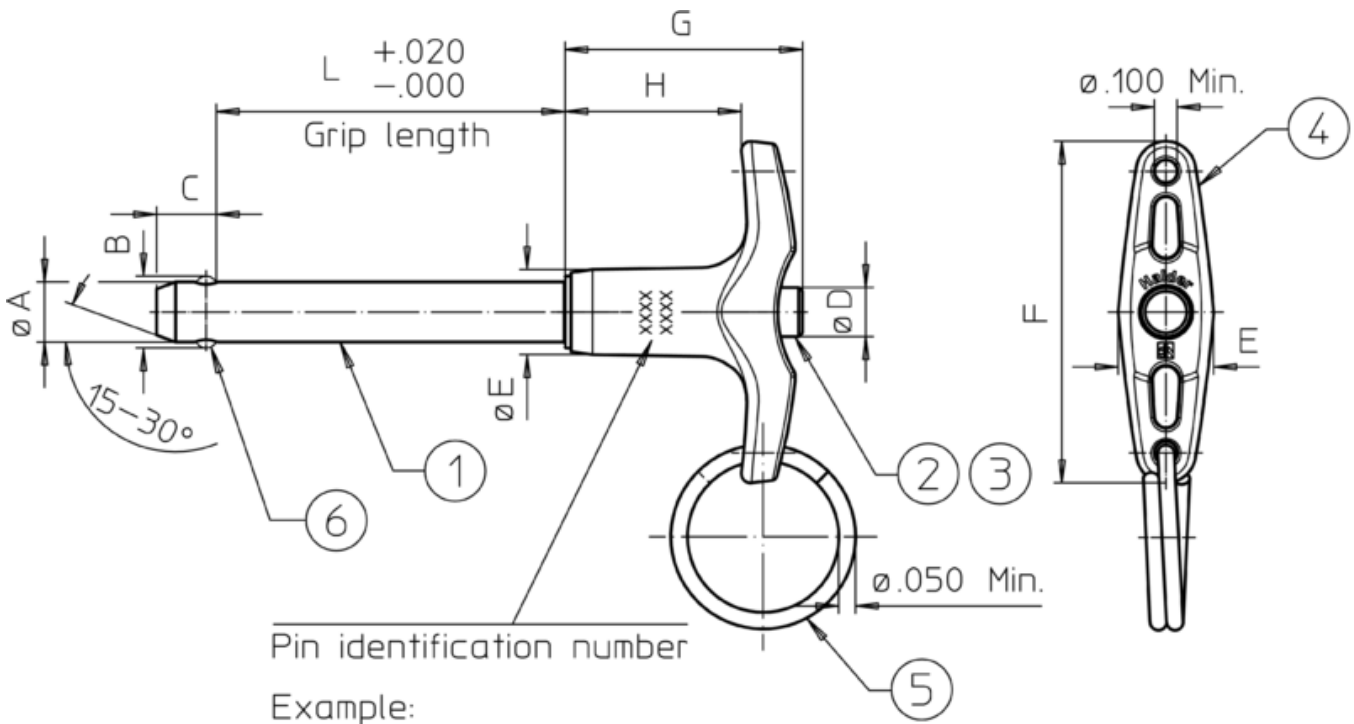
Special types on request.

All further dimensions are available on request.

Further products

- Ball Lock Pins, self-locking, with T-handle
- Warning Streamers, according to NAS1756

Drawing



Ball positions may be different than shown in the drawing (rotation may be possible).

Order information

Nominal diameter A	Clamping Length L +0,02 0	Dimensions							Location hole max.	Shearing resistance, double ¹⁾ min.	Temperature		Weight [g]	Art. No.
		B ±0,005	C 0 -0,04	D max.	E max.	F max.	G max.	H min.			min.	max.		
[inch]	[inch]	[inch]							[inch]	[lb]	[°F]		[g]	
7/16	1,8	0,509	0,38	0,39	0,625	2,065	1,47	0,85	0,4425	28,500	-22	302	69	4211.E18

¹⁾ Shearing resistance similar to DIN 50141