

Ball Lock Pins with T-handle• single acting - according to NASM / MS 17985

4211.F50



Product Description

Quick Release Pins according to NASM (former norm: MS) are used for quick fastening, locking, adjusting, changing and securing. Quickly and easily unlockable for frequently repeated connections.

Quick Release Pins (Single Acting Ball Lock Pins / Ball Lock Pins) are produced according to Aviation Norm NASM (former norm: MS) and tested to NAS 1332.

A standard program is available from stock (refer to article table). Delivery time for customer orders and dimensions not mentioned here currently 8 weeks. Please note the minimum order quantity of 20 pieces.

Material

Pin ①

- Stainless steel, precipitation-hardened, passivated

Press bolt ②

- Stainless steel, precipitation-hardened, passivated

Spring ③

- Stainless steel, precipitation-hardened, passivated

Handle ④

- Aluminium, black anodised

Attaching ring ⑤

- Stainless steel, passivated

Ball ⑥

- Stainless steel, precipitation-hardened, passivated

Operation

The balls are unlocked by pressing the knob.

More information

Notes

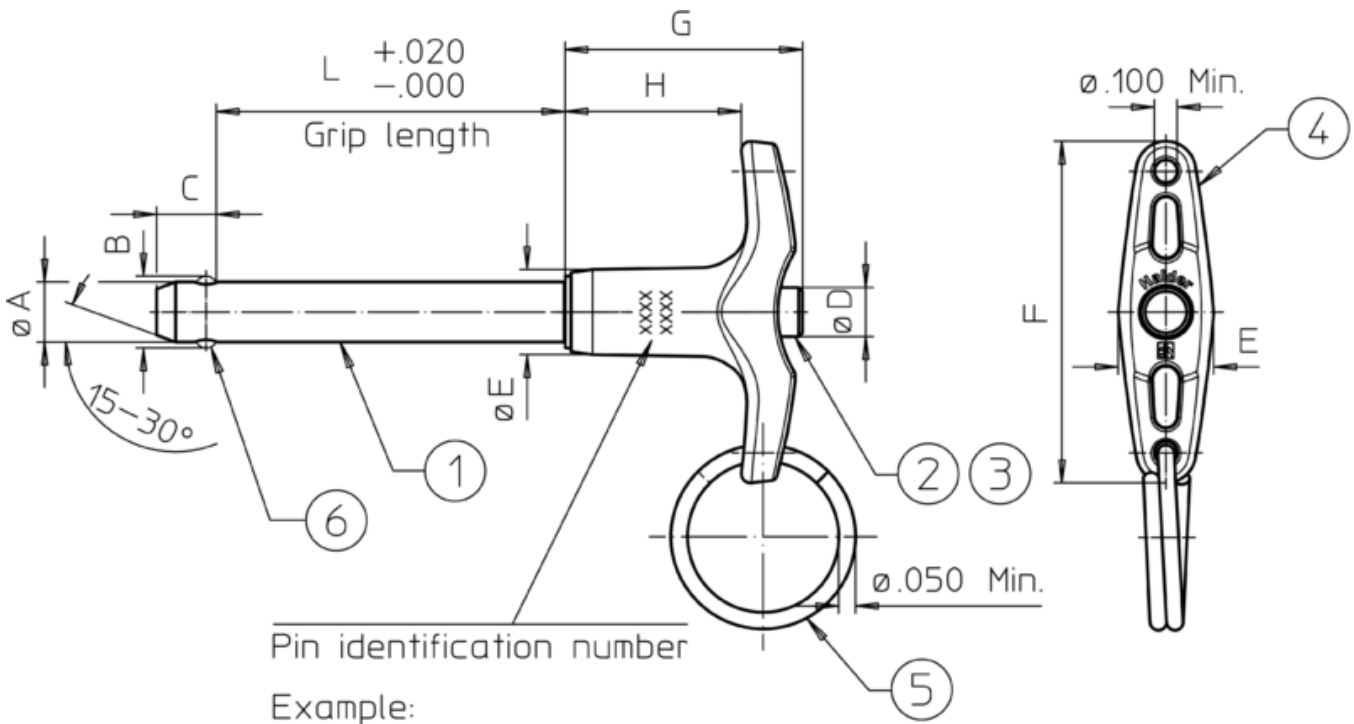
Special types on request.

All further dimensions are available on request.

Further products

- Ball Lock Pins, self-locking, with T-handle
- Warning Streamers, according to NAS1756

Drawing



MS17985C412
EH 40.0130

- Basic standard number
- Material: "C" – Corrosion resistant steel pin
- Shank diameter in 1/16" (here: 4/16" = 1/4")
- Grip length in 1/10" (here: 12/10" = 1.2")
- Production lot number
- Company identification

Ball positions may be different than shown in the drawing (rotation may be possible).

Order information

| Nominal diameter A | Clamping Length L +0,02 0 | Dimensions | | | | | | | Location hole max. | Shearing resistance, double ¹⁾ min. | Temperature | | Weight [g] | Art. No. |
|-----------------------|------------------------------------|-------------|-----------------|--------|--------|--------|--------|--------|--------------------|------------------------------------------------|-------------|------|------------|----------|
| | | B ±0,005 | C 0 -0,04 | D max. | E max. | F max. | G max. | H min. | | | min. | max. | | |
| [inch] | [inch] | | | [inch] | [inch] | [inch] | [inch] | [inch] | [lb] | [°F] | | [g] | | |
| 1/2 | 5 | 0,594 | 0,46 | 0,565 | 0,8 | 2,345 | 1,6 | 0,885 | 0,505 | 36,900 | -22 | 302 | 185 | 4211.F50 |

¹⁾ Shearing resistance similar to DIN 50141