

## Ball Lock Pins with T-handle• single acting - according to NASM / MS 17985

4211.G61



### Product Description

Quick Release Pins according to NASM (former norm: MS) are used for quick fastening, locking, adjusting, changing and securing. Quickly and easily unlockable for frequently repeated connections.

Quick Release Pins (Single Acting Ball Lock Pins / Ball Lock Pins) are produced according to Aviation Norm NASM (former norm: MS) and tested to NAS 1332.

A standard program is available from stock (refer to article table). Delivery time for customer orders and dimensions not mentioned here currently 8 weeks. Please note the minimum order quantity of 20 pieces.

### Material

#### Pin ①

- Stainless steel, precipitation-hardened, passivated

#### Press bolt ②

- Stainless steel, precipitation-hardened, passivated

#### Spring ③

- Stainless steel, precipitation-hardened, passivated

#### Handle ④

- Aluminium, black anodised

#### Attaching ring ⑤

- Stainless steel, passivated

#### Ball ⑥

- Stainless steel, precipitation-hardened, passivated

### Operation

The balls are unlocked by pressing the knob.

### More information

#### Notes

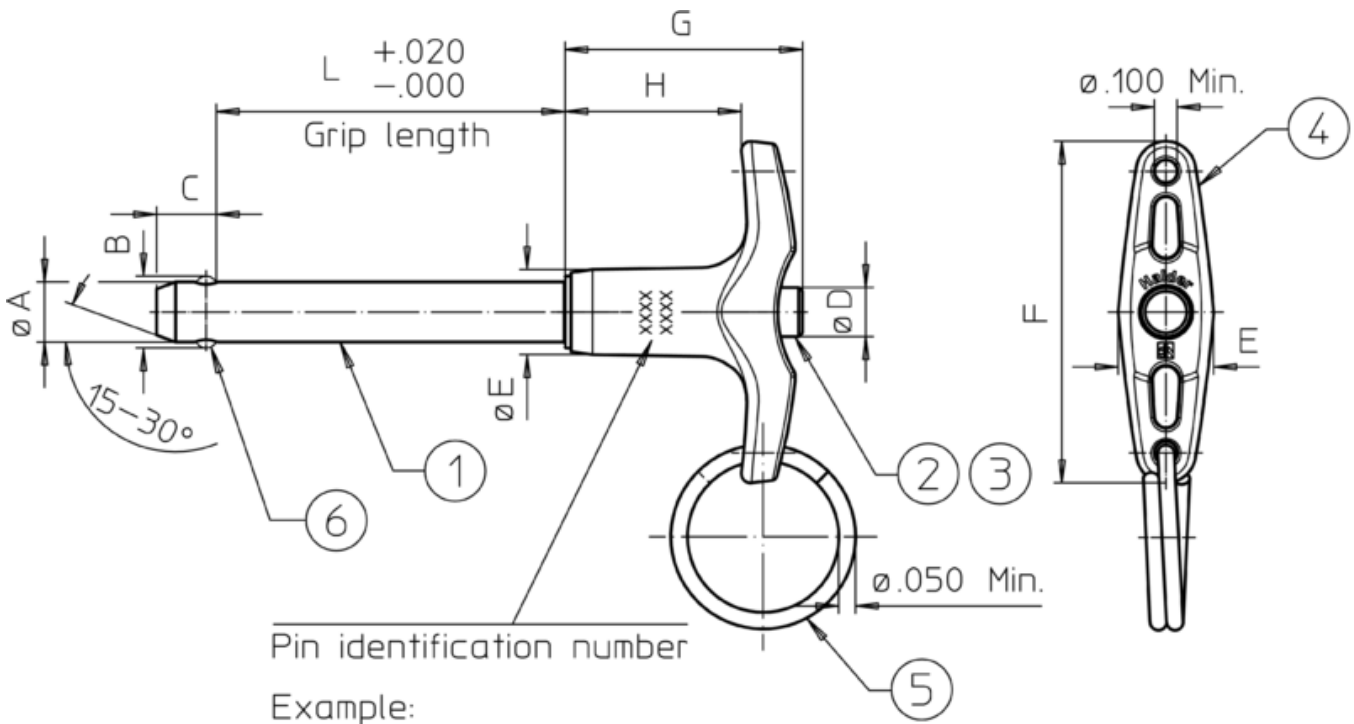
Special types on request.

All further dimensions are available on request.

#### Further products

- Ball Lock Pins, self-locking, with T-handle
- Warning Streamers, according to NAS1756

Drawing



MS17985C412  
EH 40.0130

- Basic standard number
- Material: "C" – Corrosion resistant steel pin
- Shank diameter in 1/16" (here: 4/16" = 1/4")
- Grip length in 1/10" (here: 12/10" = 1.2")
- Production lot number
- Company identification

Ball positions may be different than shown in the drawing (rotation may be possible).

Order information

Nominal diameter A	Clamping Length L +0,02 0	B ±0,005	C 0 -0,04	Dimensions					Location hole max.	Shearing resistance, double <sup>1)</sup> min.	Temperature		Weight [g]	Art. No.
				D max.	E max.	F max.	G max.	H min.			min.	max.		
[inch]	[inch]			[inch]					[inch]	[lb]	[°F]			
9/16	6,1	0,666	0,51	0,565	0,8	2,345	1,6	0,885	0,5675	46,700	-22	302	252	4211.G61

<sup>1)</sup> Shearing resistance similar to DIN 50141