

## Ball Lock Pins with L-handle• single acting - according to NASM / MS 17986

4212.A10



### Product Description

Quick Release Pins according to NASM (former norm: MS) are used for quick fastening, locking, adjusting, changing and securing. Quickly and easily unlockable for frequently repeated connections.

Quick Release Pins (Single Acting Ball Lock Pins / Ball Lock Pins) are produced according to Aviation Norm NASM (former norm: MS) and tested to NAS 1332.

A standard program is available from stock (refer to article table). Delivery time for customer orders and dimensions not mentioned here currently 8 weeks. Please note the minimum order quantity of 20 pieces.

### Material

#### Pin ①

- Stainless steel, precipitation-hardened, passivated

#### Press bolt ②

- Stainless steel, precipitation-hardened, passivated

#### Spring ③

- Stainless steel, precipitation-hardened, passivated

#### Handle ④

- Aluminium, black anodised

#### Attaching ring ⑤

- Stainless steel, passivated

#### Ball ⑥

- Stainless steel, precipitation-hardened, passivated

### Operation

The balls are unlocked by pressing the knob.

### More information

### Notes

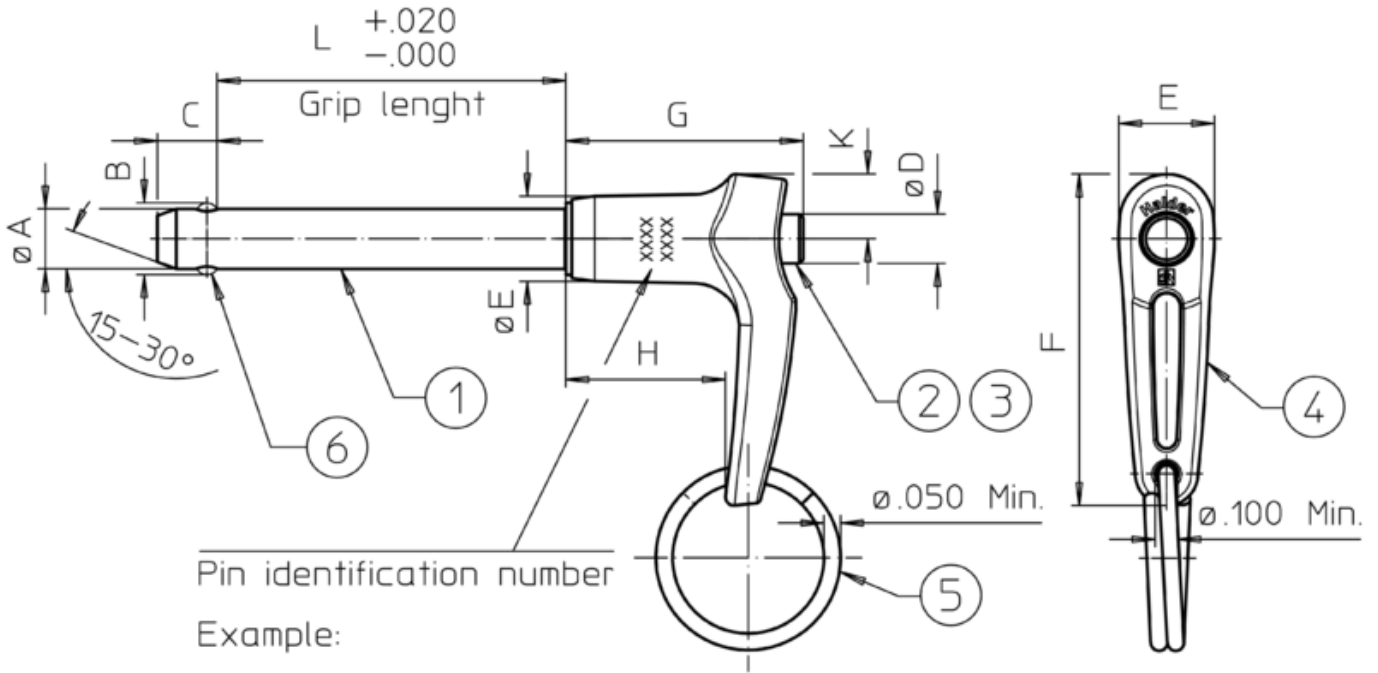
Special types on request.

All further dimensions are available on request.

### Further products

- Ball Lock Pins, self-locking, with L-handle
- Warning Streamers, according to NAS1756

**Drawing**



Pin identification number  
Example:

MS17986C412  
EH 40.0130

Basic standard number  
Material: "C" – Corrosion resistant steel pin  
Shank diameter in 1/16" (here: 4/16" = 1/4")  
Grip length in 1/10" (here: 12/10" = 1.2")  
Production lot number  
Company identification

Ball positions may be different than shown in the drawing (rotation may be possible).

**Order information**

Nominal diameter A	Clamping Length L +0,02 0	B ±0,005	C +0,1 -0,04	Dimensions						Location hole max.	Shearing resistance, double <sup>1)</sup> min.	Temperature		Weight [g]	Art. No.
				D max.	E max.	F max.	G max.	H min.	K max.			min.	max.		
[inch]	[inch]			[inch]						[inch]	[lb]	[°F]			
3/16	1	0,22	0,26	0,31	0,5	1,8	1,27	0,76	0,34	0,194	5,150	-22	302	26	4212.A10

<sup>1)</sup> Shearing resistance similar to DIN 50141

Application example







