

Ball Lock Pins with L-handle• single acting - according to NASM / MS 17986

4212.C06



Product Description

Quick Release Pins according to NASM (former norm: MS) are used for quick fastening, locking, adjusting, changing and securing. Quickly and easily unlockable for frequently repeated connections.

Quick Release Pins (Single Acting Ball Lock Pins / Ball Lock Pins) are produced according to Aviation Norm NASM (former norm: MS) and tested to NAS 1332.

A standard program is available from stock (refer to article table). Delivery time for customer orders and dimensions not mentioned here currently 8 weeks. Please note the minimum order quantity of 20 pieces.

Material

Pin ①

- Stainless steel, precipitation-hardened, passivated

Press bolt ②

- Stainless steel, precipitation-hardened, passivated

Spring ③

- Stainless steel, precipitation-hardened, passivated

Handle ④

- Aluminium, black anodised

Attaching ring ⑤

- Stainless steel, passivated

Ball ⑥

- Stainless steel, precipitation-hardened, passivated

Operation

The balls are unlocked by pressing the knob.

More information

Notes

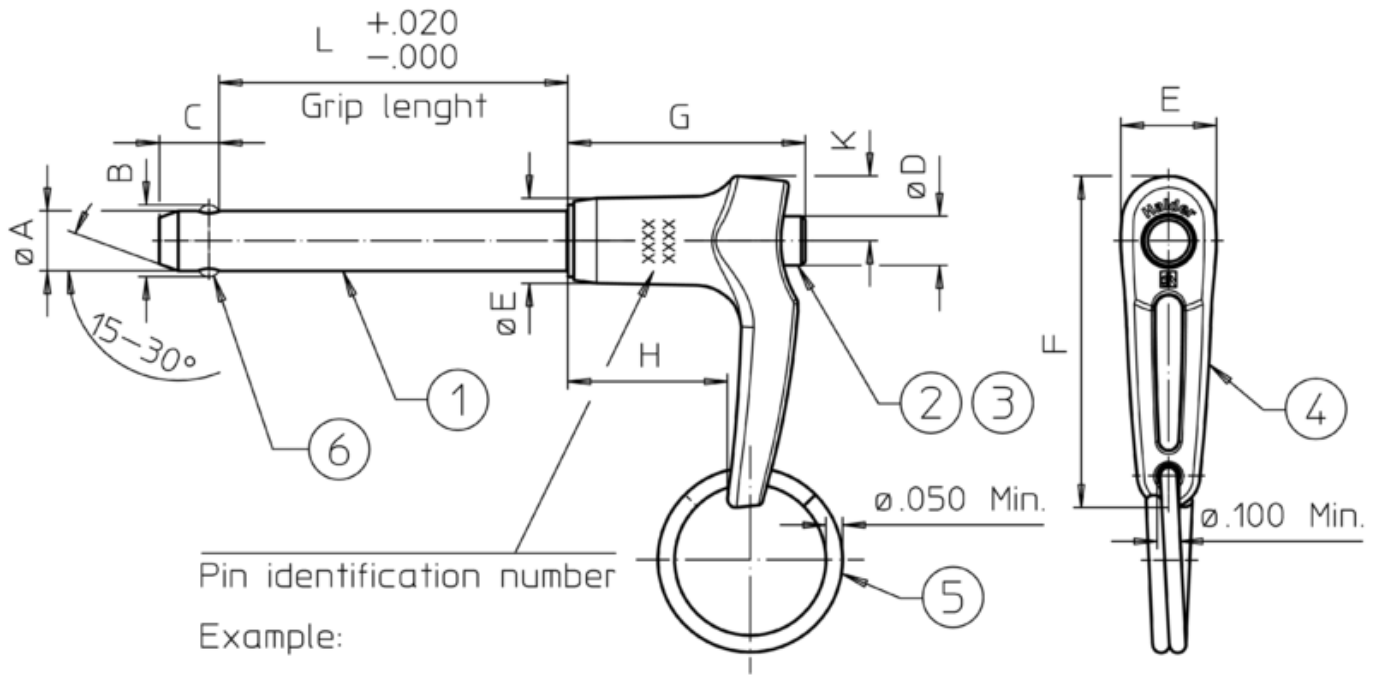
Special types on request.

All further dimensions are available on request.

Further products

- Ball Lock Pins, self-locking, with L-handle
- Warning Streamers, according to NAS1756

Drawing



Pin identification number
Example:

MS17986C412
EH 40.0130

Basic standard number
Material: "C" – Corrosion resistant steel pin
Shank diameter in 1/16" (here: 4/16" = 1/4")
Grip length in 1/10" (here: 12/10" = 1.2")
Production lot number
Company identification

Ball positions may be different than shown in the drawing (rotation may be possible).

Order information

Nominal diameter A	Clamping Length L	Dimensions								Location hole max.	Shearing resistance, double ¹⁾ min.	Temperature		Weight [g]	Art. No.
		B	C	D	E	F	G	H	K			min.	max.		
[inch]	[inch]	±0,005	+0,1 -0,04	max.	max.	max.	max.	min.	max.	[inch]	[lb]	[°F]		[g]	
5/16	0,6	0,375	0,33	0,31	0,5	1,8	1,27	0,76	0,34	0,3165	14,400	-22	302	30	4212.C06

¹⁾ Shearing resistance similar to DIN 50141

Application example





