

Ball Lock Pins with Ring Handle- single acting - according to NASM / MS 17987

4213.F11



Product Description

Quick Release Pins according to NASM (former norm: MS) are used for quick fastening, locking, adjusting, changing and securing. Quickly and easily unlockable for frequently repeated connections.

Quick Release Pins (Single Acting Ball Lock Pins / Ball Lock Pins) are produced according to Aviation Norm NASM (former norm: MS) and tested to NAS 1332.

A standard program is available from stock (refer to article table). Delivery time for customer orders and dimensions not mentioned here currently 8 weeks. Please note the minimum order quantity of 20 pieces.

Material

Pin ①

- Stainless steel, precipitation-hardened, passivated

Press bolt ②

- Stainless steel, precipitation-hardened, passivated

Spring ③

- Stainless steel, precipitation-hardened, passivated

Handle ④

- Stainless steel, passivated

Attaching ring ⑤

- Stainless steel, passivated

Ball ⑥

- Stainless steel, precipitation-hardened, passivated

Operation

The balls are unlocked by pressing the knob.

More information

Notes

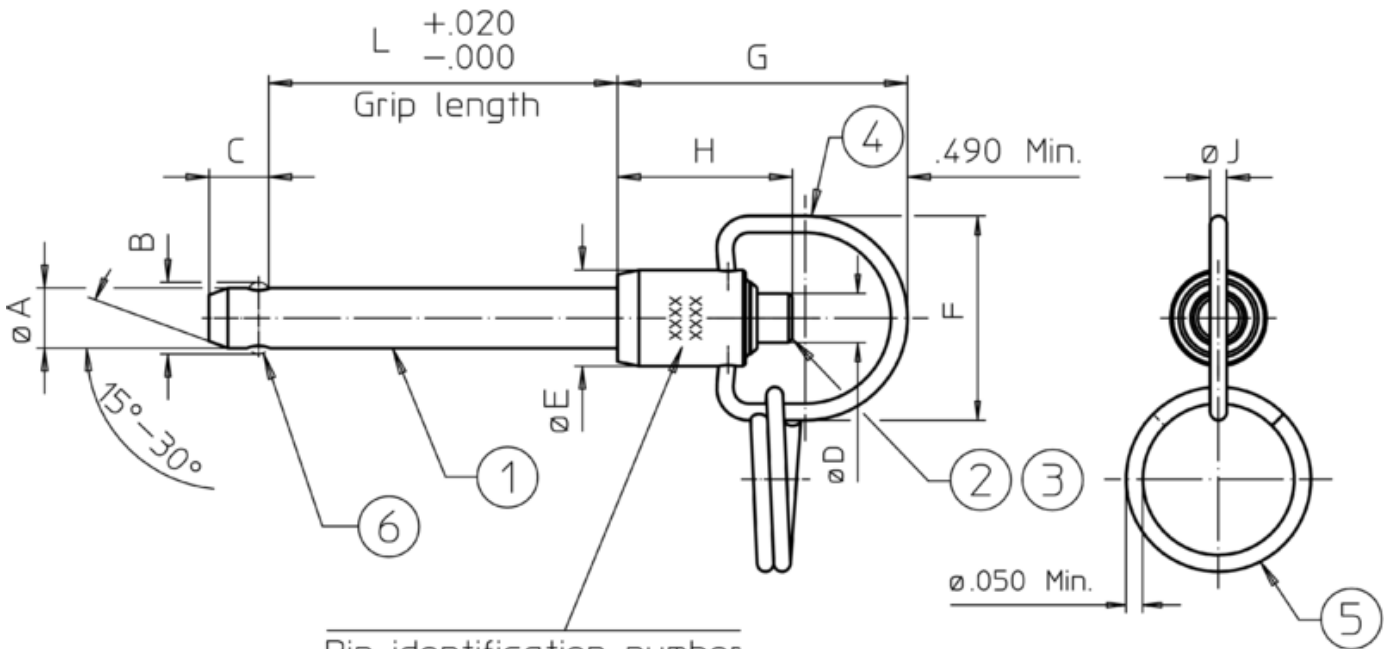
Special types on request.

All further dimensions are available on request.

Further products

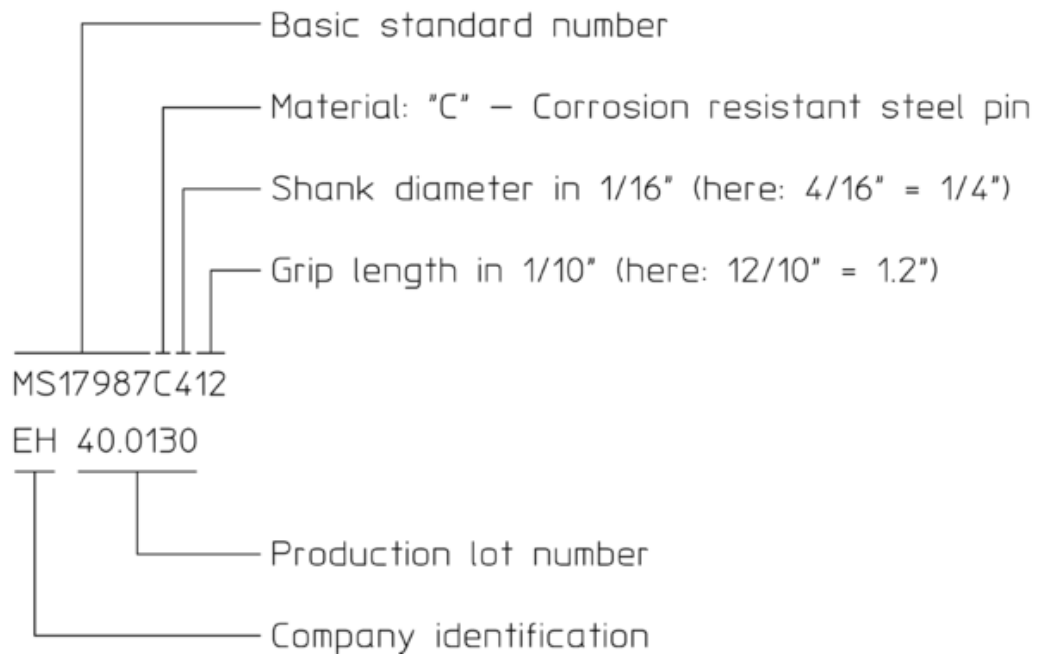
- Warning Streamers, according to NAS1756

Drawing



Pin identification number

Example:



Ball positions may be different than shown in the drawing (rotation may be possible).

Order information

| Nominal diameter A | Clamping Length L $+0,02$ 0 | B $\pm 0,005$ | Dimensions | | | | | | Location hole max. | Shearing resistance, double ¹⁾ min. | Temperature | | Weight [g] | Art. No. |
|-----------------------|--------------------------------------|------------------|-----------------|--------|--------|--------|--------|--------|--------------------|---|-------------|------|---------------|----------|
| | | | C 0 -0,04 | D max. | E max. | G max. | H min. | J min. | | | min. | max. | | |
| [inch] | [inch] | | [inch] | | | | | | [inch] | [lb] | [°F] | | | |
| 1/2 | 1,1 | 0,594 | 0,46 | 0,565 | 0,8 | 1,85 | 1,14 | 0,08 | 0,505 | 36,900 | -22 | 302 | 88 | 4213.F11 |

¹⁾ Shearing resistance similar to DIN 50141