

## Ball Lock Pins with Ring Handle- single acting - according to NASM / MS 17987

4213.G30



### Product Description

Quick Release Pins according to NASM (former norm: MS) are used for quick fastening, locking, adjusting, changing and securing. Quickly and easily unlockable for frequently repeated connections.

Quick Release Pins (Single Acting Ball Lock Pins / Ball Lock Pins) are produced according to Aviation Norm NASM (former norm: MS) and tested to NAS 1332.

A standard program is available from stock (refer to article table). Delivery time for customer orders and dimensions not mentioned here currently 8 weeks. Please note the minimum order quantity of 20 pieces.

### Material

#### Pin ①

- Stainless steel, precipitation-hardened, passivated

#### Press bolt ②

- Stainless steel, precipitation-hardened, passivated

#### Spring ③

- Stainless steel, precipitation-hardened, passivated

#### Handle ④

- Stainless steel, passivated

#### Attaching ring ⑤

- Stainless steel, passivated

#### Ball ⑥

- Stainless steel, precipitation-hardened, passivated

### Operation

The balls are unlocked by pressing the knob.

### More information

#### Notes

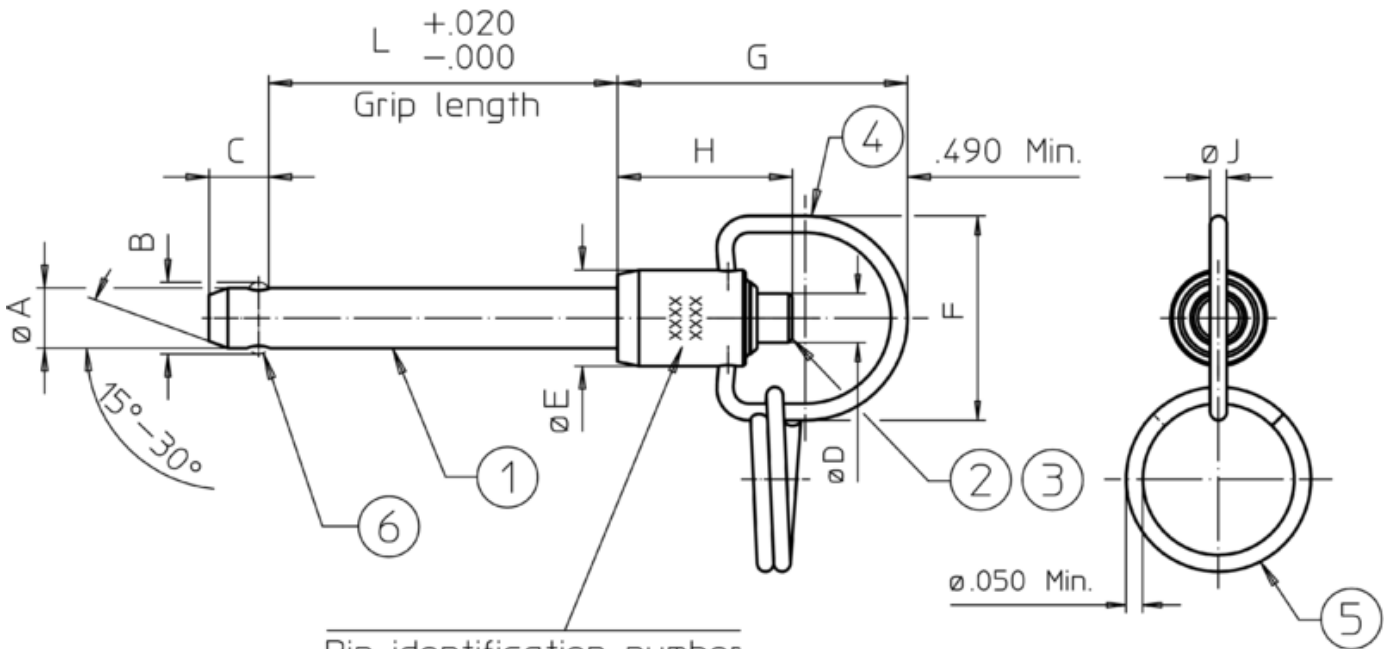
Special types on request.

All further dimensions are available on request.

#### Further products

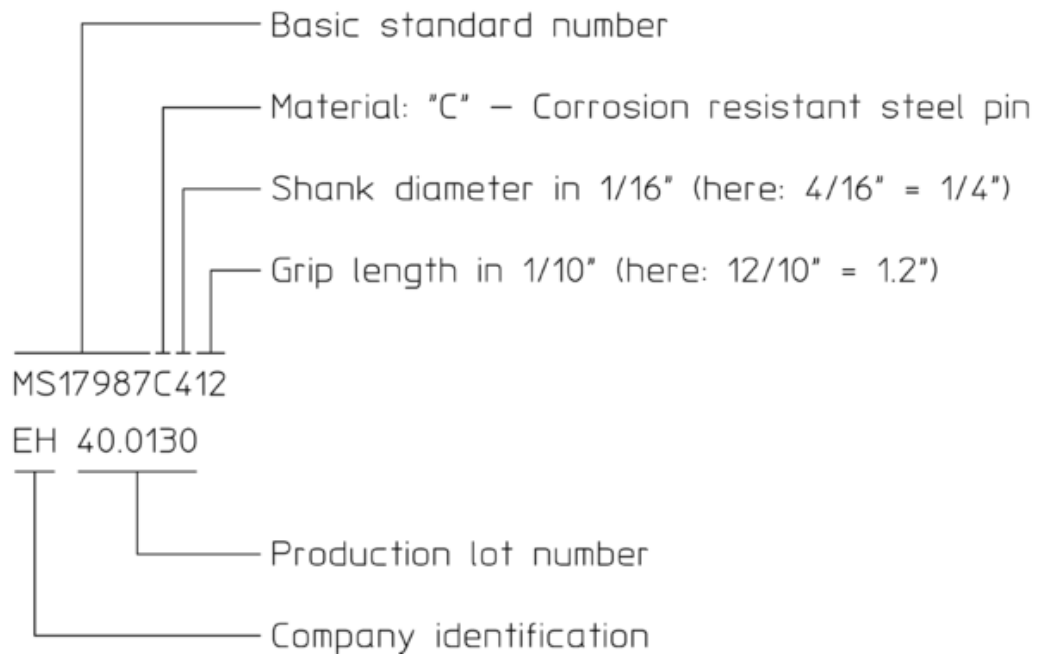
- Warning Streamers, according to NAS1756

Drawing



Pin identification number

Example:



Ball positions may be different than shown in the drawing (rotation may be possible).

Order information

| Nominal diameter<br>A | Clamping Length<br>L<br>$+0,02$<br>0 | Dimensions       |                 |           |           |           |           |           |        | Location hole<br>max. | Shearing resistance,<br>double <sup>1)</sup><br>min. | Temperature |     | Weight<br>[g] | Art. No. |
|-----------------------|--------------------------------------|------------------|-----------------|-----------|-----------|-----------|-----------|-----------|--------|-----------------------|--|-------------|-----|---------------|----------|
|                       |                                      | B<br>$\pm 0,005$ | C<br>0<br>-0,04 | D<br>max. | E<br>max. | G<br>max. | H<br>min. | J<br>min. | min.   |                       |  | max.        |     |               |          |
| [inch]                | [inch]                               | [inch]           |                 |           |           |           |           |           |        | [inch]                | [lb]   | [°F]        |     |               |          |
| 9/16                  | 3                                    | 0,666            | 0,51            | 0,565     | 0,84      | 2,03      | 1,14      | 0,08      | 0,5675 | 46,700                | -22  | 302         | 166 | 4213.G30      |          |

<sup>1)</sup> Shearing resistance similar to DIN 50141