

## Ball Lock Pins with Ring Handle- single acting - according to NASM / MS 17987

4213.G37



### Product Description

Quick Release Pins according to NASM (former norm: MS) are used for quick fastening, locking, adjusting, changing and securing. Quickly and easily unlockable for frequently repeated connections.

Quick Release Pins (Single Acting Ball Lock Pins / Ball Lock Pins) are produced according to Aviation Norm NASM (former norm: MS) and tested to NAS 1332.

A standard program is available from stock (refer to article table). Delivery time for customer orders and dimensions not mentioned here currently 8 weeks. Please note the minimum order quantity of 20 pieces.

### Material

#### Pin ①

- Stainless steel, precipitation-hardened, passivated

#### Press bolt ②

- Stainless steel, precipitation-hardened, passivated

#### Spring ③

- Stainless steel, precipitation-hardened, passivated

#### Handle ④

- Stainless steel, passivated

#### Attaching ring ⑤

- Stainless steel, passivated

#### Ball ⑥

- Stainless steel, precipitation-hardened, passivated

### Operation

The balls are unlocked by pressing the knob.

### More information

#### Notes

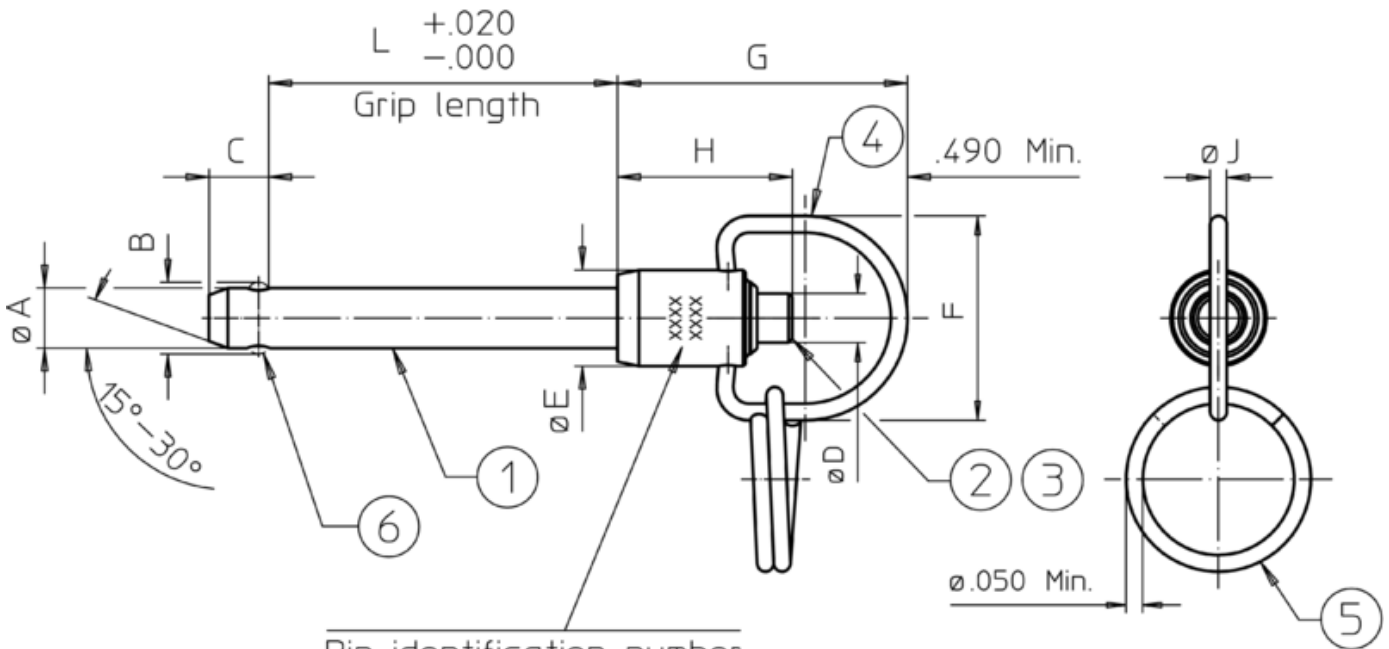
Special types on request.

All further dimensions are available on request.

#### Further products

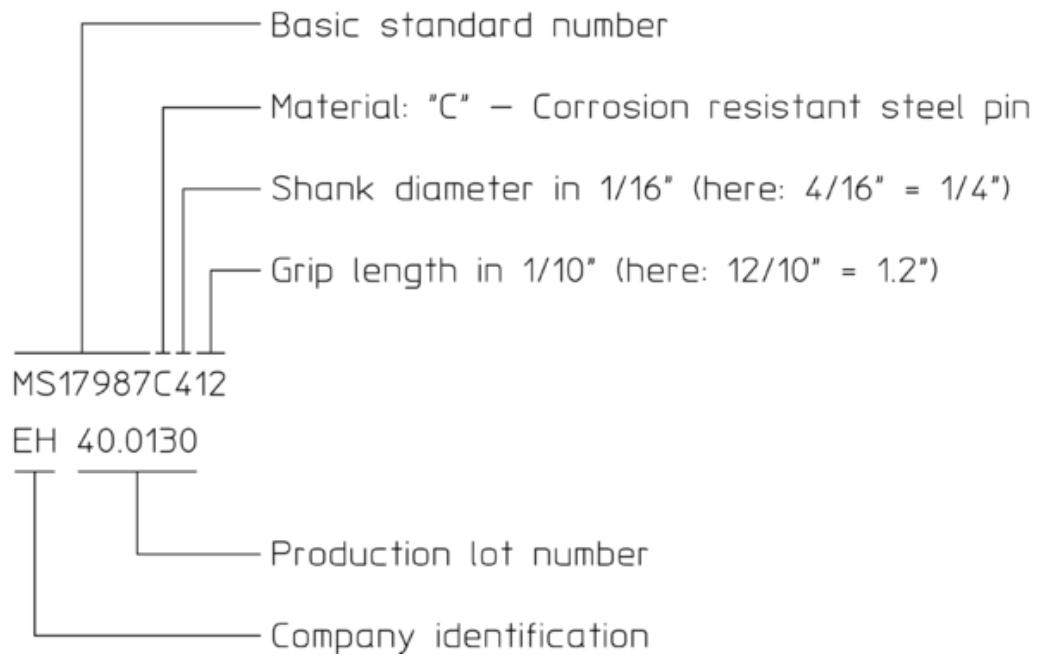
- Warning Streamers, according to NAS1756

Drawing



Pin identification number

Example:



Ball positions may be different than shown in the drawing (rotation may be possible).

Order information

Nominal diameter A	Clamping Length L $+0,02$ 0	Dimensions							Location hole max.	Shearing resistance, double <sup>1)</sup> min.	Temperature		Weight [g]	Art. No.
		B $\pm 0,005$	C 0 -0,04	D max.	E max.	G max.	H min.	J min.			min.	max.		
[inch]	[inch]	[inch]							[inch]	[lb]	[°F]		[g]	
9/16	3,7	0,666	0,51	0,565	0,84	2,03	1,14	0,08	0,5675	46,700	-22	302	183	4213.G37

<sup>1)</sup> Shearing resistance similar to DIN 50141